



Submittal Data Sheet

1.5-Ton Roundflow Cassette Unit - FCQ18PAVJURZQ18PVJU9

Project: Yanmar Ceiling Cassette

Submitted by: Alexandra Edinger of DAIKIN APPLIED GEORGIA on 10/4/2017

Submitted to: No Engineer Name Specified

Tags: 1.5-Ton Ceiling Cassette Heat Pump

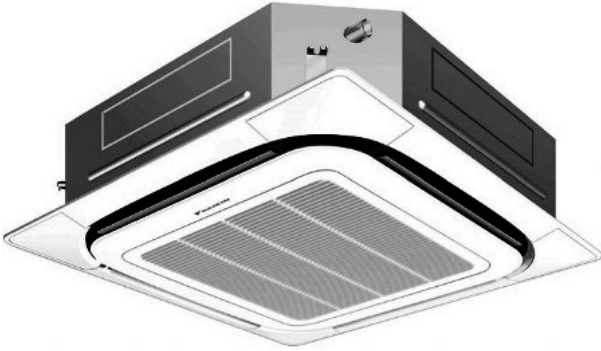
FEATURES

- 23 configurable airflow patterns ensure ideal air distribution for maximum comfort and savings
- 360° airflow reduces draft
- Lower air velocities provide better airflow distribution
- Condensate pump provided standard
- Outside air integration possible
- 10 year limited parts and compressor warranty

BENEFITS

- Optional wired controller
- Maximum piping length up to 164 ft. allows flexible placement of indoor unit
- Maximum piping height separation up to 98 ft.
- Low ambient cooling operation down to 0°F (with optional wind baffle(s))

INDOOR UNIT



OUTDOOR UNIT





Submittal Data Sheet

1.5-Ton Roundflow Cassette Unit - FCQ18PAVJURZQ18PVJU9

Project: Yanmar Ceiling Cassette

Submitted by: Alexandra Edinger of DAIKIN APPLIED GEORGIA on 10/4/2017

Submitted to: No Engineer Name Specified

Tags: 1.5-Ton Ceiling Cassette Heat Pump

SYSTEM PERFORMANCE

Indoor Unit Model No.	FCQ18PAVJU	Indoor Unit Name:	skyair round flow cassette - p
Outdoor Unit Model No.	RZQ18PVJU9	Outdoor Unit Name:	skyair heat pump outdoor unit
Rated Cooling Capacity (Btu/hr):	18,000	Rated Cooling Conditions:	Indoor (°F DB/WB): 80 / 67 Ambient (°F DB/WB): 95 / 75
Sensible Capacity (Btu/hr):	14,100	Rated Piping Length(ft):	25
Max/Min Cooling Capacity (Btu/hr):	18,000 /	Rated Height Difference (ft):	0.00
Cooling Input Power (kW):	1.380	Rated Heating Conditions:	Indoor (°F DB/WB): 70 / 60 Ambient (°F DB/WB): 47 / 43
SEER (Non-Ducted/Ducted):	18.60 /	HSPF (Non-Ducted/Ducted):	10.3 /
EER (Non-Ducted/Ducted):	13.00 /		
Rated Heating Capacity (Btu/hr):	20,000		
Max/Min Heating Capacity (Btu/hr):	/ 20,000		
Heating Input Power (kW):	1.46		

SYSTEM DETAILS

Refrigerant Type:	R-410A	Cooling Operation Range (°F DB):	23 - 115
Holding Refrigerant Charge (lbs):	5.10	Heating Operation Range (°F WB):	0 - 60
Additional Charge (lb/ft):	0.04	Max. Pipe Length (Vertical) (ft):	98
Pre-charge Piping (Length) (ft):	0	Cooling Range w/Baffle (°F DB):	0 - 115
Max. Pipe Length (Total) (ft):	164	Heating Range w/Baffle (°F WB):	-
Max Height Separation (Ind to Ind ft):	0		



Submittal Data Sheet

1.5-Ton Roundflow Cassette Unit - FCQ18PAVJURZQ18PVJU9

Project: Yanmar Ceiling Cassette

Submitted by: Alexandra Edinger of DAIKIN APPLIED GEORGIA on 10/4/2017

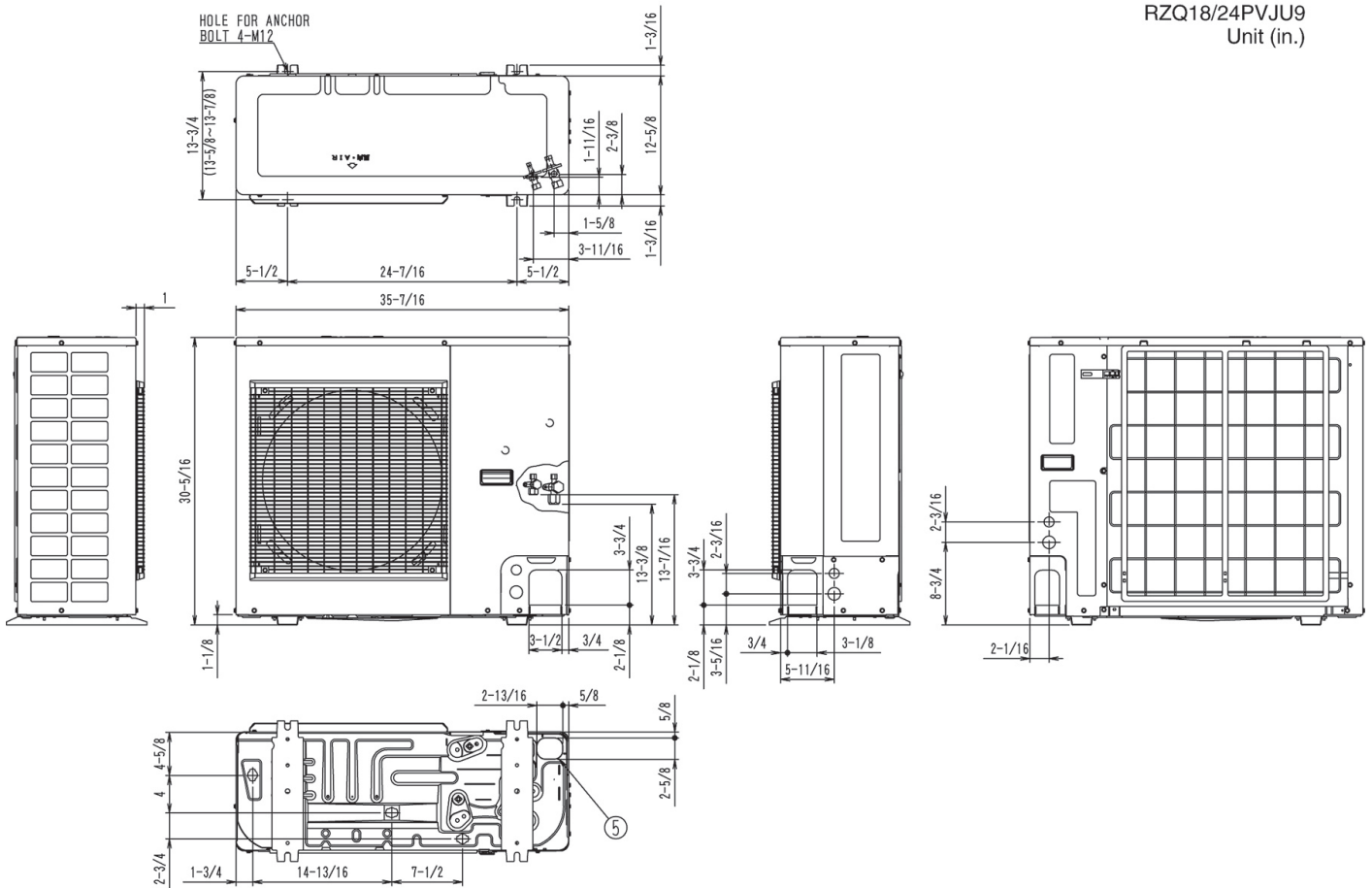
Submitted to: No Engineer Name Specified

Tags: 1.5-Ton Ceiling Cassette Heat Pump

OUTDOOR UNIT DETAILS

Power Supply (V/Hz/Ph):	208-230 / 60 / 1	Compressor Stage:	Inverter
Power Supply Connections:	L1, L2, Ground	Capacity Control Range (%):	35 - 100
Min. Circuit Amps MCA (A):	16.5	Airflow Rate (H) (CFM):	1835
Max Overcurrent Protection (MOP) (A):	20	Gas Pipe Connection (inch):	5/8
Max Starting Current MSC(A):		Liquid Pipe Connection (inch):	3/8
Rated Load Amps RLA(A):		Sound Pressure (H) (dBA):	49
Dimensions (HxWxD) (in):	30-5/16 x 35-7/16 x 12-5/8	Sound Power Level (dBA):	
Net Weight (lb):	150		

DIMENSIONAL DRAWING - OUTDOOR UNIT



RZQ18/24PVJU9
Unit (in.)