



Submittal Data Sheet

1.5-Ton Ceiling Suspended Unit - FHQ18PVJURZQ18PVJU9

Project: Yanmar Ceiling Suspended

Submitted by: Alexandra Edinger of DAIKIN APPLIED GEORGIA on 10/4/2017

Submitted to: No Engineer Name Specified

Tags: 1.5-Ton Ceiling Suspended Heat Pump

FEATURES

- Auto-swing capability with 100° airflow pattern
- Innovative stream fan technology
- 10 year limited parts and compressor warranty

BENEFITS

- Lateral servicing space allows installation in corners, narrow space, walls, and ceilings

INDOOR UNIT



OUTDOOR UNIT





Submittal Data Sheet

1.5-Ton Ceiling Suspended Unit - FHQ18PVJURZQ18PVJU9

Project: Yanmar Ceiling Suspended

Submitted by: Alexandra Edinger of DAIKIN APPLIED GEORGIA on 10/4/2017

Submitted to: No Engineer Name Specified

Tags: 1.5-Ton Ceiling Suspended Heat Pump

SYSTEM PERFORMANCE

Indoor Unit Model No.	FHQ18PVJU	Indoor Unit Name:	skyair ceiling type - p series
Outdoor Unit Model No.	RZQ18PVJU9	Outdoor Unit Name:	skyair heat pump outdoor unit
Rated Cooling Capacity (Btu/hr):	18,000	Rated Cooling Conditions:	Indoor (°F DB/WB): 80 / 67 Ambient (°F DB/WB): 95 / 75
Sensible Capacity (Btu/hr):	13,300	Rated Piping Length(ft):	25
Max/Min Cooling Capacity (Btu/hr):	18,000 /	Rated Height Difference (ft):	0.00
Cooling Input Power (kW):	1.290	Rated Heating Conditions:	Indoor (°F DB/WB): 70 / 60 Ambient (°F DB/WB): 47 / 43
SEER (Non-Ducted/Ducted):	18.00 /	HSPF (Non-Ducted/Ducted):	11.1 /
EER (Non-Ducted/Ducted):	14.00 /	Heating COP (Non-Ducted/Ducted):	3.8 /
Rated Heating Capacity (Btu/hr):	20,000		
Max/Min Heating Capacity (Btu/hr):	/ 20,000		
Heating Input Power (kW):	1.51		

SYSTEM DETAILS

Refrigerant Type:	R-410A	Cooling Operation Range (°F DB):	23 - 115
Holding Refrigerant Charge (lbs):	5.10	Heating Operation Range (°F WB):	0 - 60
Additional Charge (lb/ft):	0.04	Max. Pipe Length (Vertical) (ft):	98
Pre-charge Piping (Length) (ft):	0	Cooling Range w/Baffle (°F DB):	0 - 115
Max. Pipe Length (Total) (ft):	164	Heating Range w/Baffle (°F WB):	-
Max Height Separation (Ind to Ind ft):	0		

Submittal Data Sheet

1.5-Ton Ceiling Suspended Unit - FHQ18PVJURZQ18PVJU9

Project: Yanmar Ceiling Suspended

Submitted by: Alexandra Edinger of DAIKIN APPLIED GEORGIA on 10/4/2017

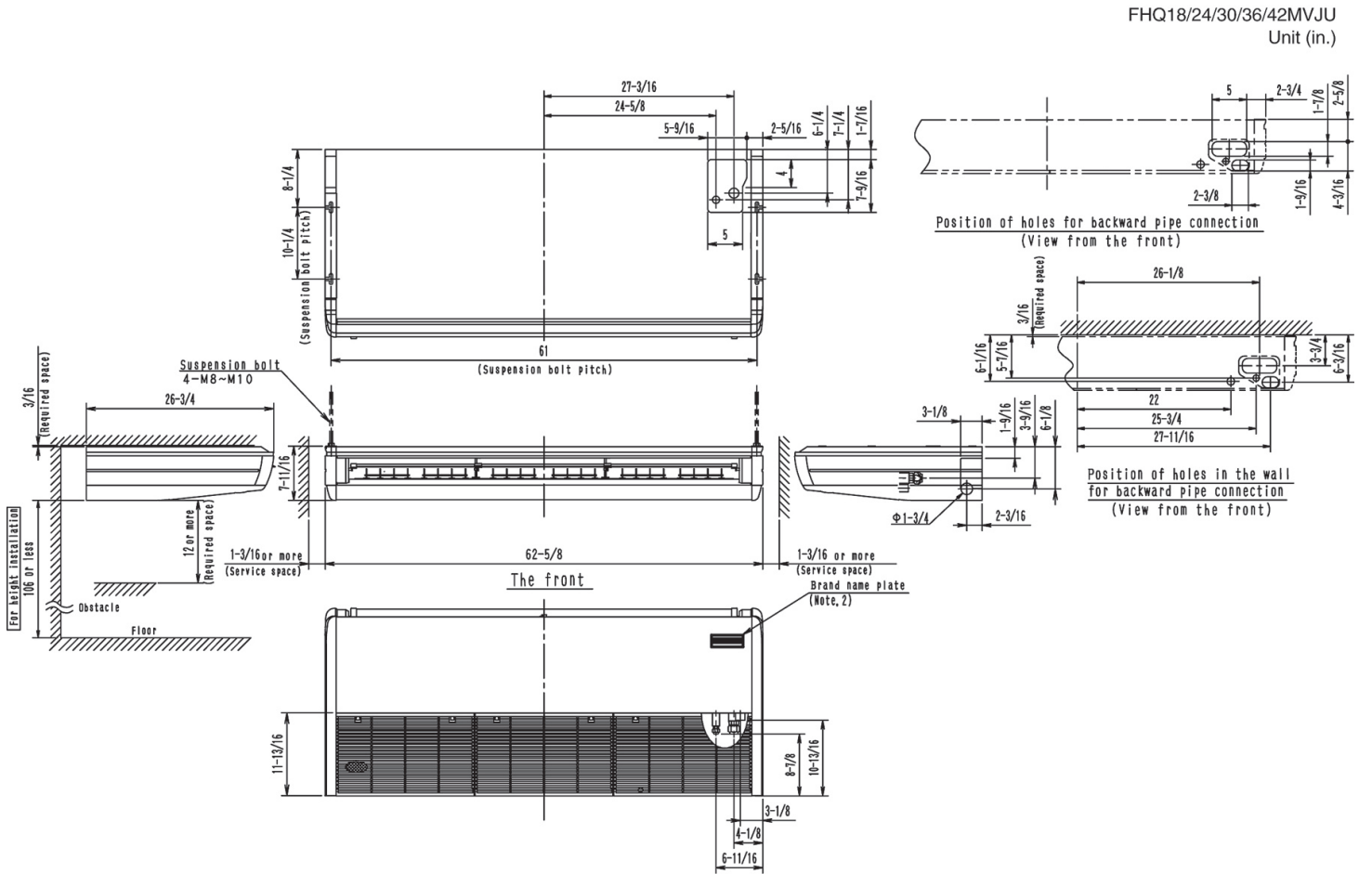
Submitted to: No Engineer Name Specified

Tags: 1.5-Ton Ceiling Suspended Heat Pump

INDOOR UNIT DETAILS

Power Supply (V/Hz/Ph):	208-230 / 60 / 1	Airflow Rate (H/L) (CFM):	790/670
Power Supply Connections:	L1, L2, Ground	Moisture Removal (Gal/hr):	
Min. Circuit Amps MCA (A):	1.3	Gas Pipe Connection (inch):	5/8
Max Overcurrent Protection (MOP) (A):	15	Liquid Pipe Connection (inch):	3/8
Dimensions (HxWxD) (in):	7-11/16 x 62-5/8 x 26-3/4	Condensate Connection (inch):	1
Net Weight (lb):	90	Sound Pressure (H) (dBA):	45
Ext. Static Pressure (Rated/Max) (inWg):	0 / 0	Sound Power Level (dBA):	

DIMENSIONAL DRAWING - INDOOR UNIT



Daikin North America LLC, 5151 San Felipe, Suite 500, Houston, TX, 77056

Daikin City Generated Submittal Data

www.daikinac.com www.daikincomfort.com

(Daikin's products are subject to continuous improvements. Daikin reserves the right to modify product design, specifications and information in this data sheet without notice and without incurring any obligations)

Submittal Date: 10/4/2017 1:04:29 PM



Submittal Data Sheet

1.5-Ton Ceiling Suspended Unit - FHQ18PVJURZQ18PVJU9

Project: Yanmar Ceiling Suspended

Submitted by: Alexandra Edinger of DAIKIN APPLIED GEORGIA on 10/4/2017

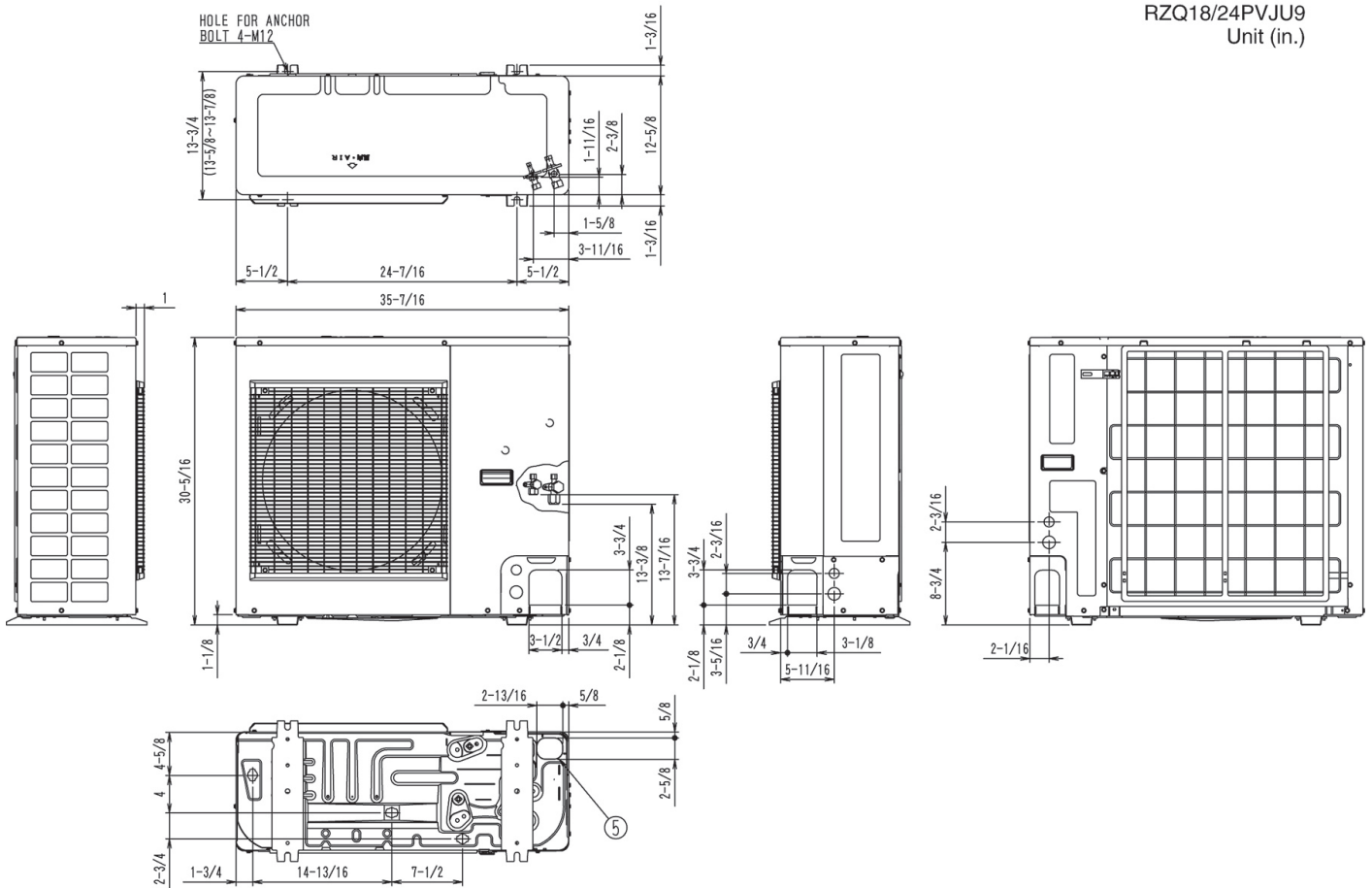
Submitted to: No Engineer Name Specified

Tags: 1.5-Ton Ceiling Suspended Heat Pump

OUTDOOR UNIT DETAILS

Power Supply (V/Hz/Ph):	208-230 / 60 / 1	Compressor Stage:	Inverter
Power Supply Connections:	L1, L2, Ground	Capacity Control Range (%):	35 - 100
Min. Circuit Amps MCA (A):	16.5	Airflow Rate (H) (CFM):	1835
Max Overcurrent Protection (MOP) (A):	20	Gas Pipe Connection (inch):	5/8
Max Starting Current MSC(A):		Liquid Pipe Connection (inch):	3/8
Rated Load Amps RLA(A):		Sound Pressure (H) (dBA):	49
Dimensions (HxWxD) (in):	30-5/16 x 35-7/16 x 12-5/8	Sound Power Level (dBA):	
Net Weight (lb):	150		

DIMENSIONAL DRAWING - OUTDOOR UNIT



RZQ18/24PVJU9
Unit (in.)