



Submittal Data Sheet

2.0-Ton Roundflow Cassette Unit - FCQ24PAVJURZQ24PVJU9

Project: Yanmar Ceiling Cassette

Submitted by: Alexandra Edinger of DAIKIN APPLIED GEORGIA on 10/4/2017

Submitted to: No Engineer Name Specified

Tags: 2.0-Ton Ceiling Cassette Heat Pump

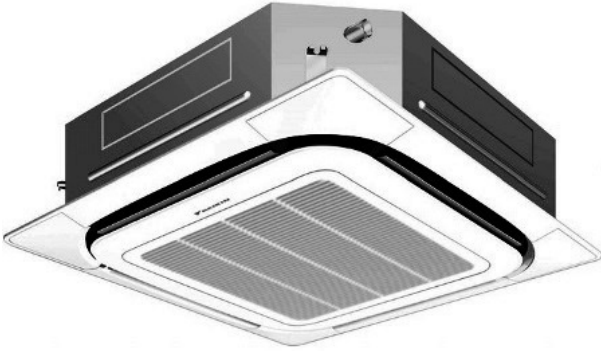
FEATURES

- 23 configurable airflow patterns ensure ideal air distribution for maximum comfort and savings
- 360° airflow reduces draft
- Lower air velocities provide better airflow distribution
- Condensate pump provided standard
- Outside air integration possible
- 10 year limited parts and compressor warranty

BENEFITS

- Optional wired controller
- Maximum piping length up to 164 ft. allows flexible placement of indoor unit
- Maximum piping height separation up to 98 ft.
- Low ambient cooling operation down to 0°F (with optional wind baffle(s))

INDOOR UNIT



OUTDOOR UNIT





Submittal Data Sheet

2.0-Ton Roundflow Cassette Unit - FCQ24PAVJURZQ24PVJU9

Project: Yanmar Ceiling Cassette

Submitted by: Alexandra Edinger of DAIKIN APPLIED GEORGIA on 10/4/2017

Submitted to: No Engineer Name Specified

Tags: 2.0-Ton Ceiling Cassette Heat Pump

SYSTEM PERFORMANCE

Indoor Unit Model No.	FCQ24PAVJU	Indoor Unit Name:	skyair round flow cassette - p
Outdoor Unit Model No.	RZQ24PVJU9	Outdoor Unit Name:	skyair heat pump outdoor unit
Rated Cooling Capacity (Btu/hr):	24,000	Rated Cooling Conditions:	Indoor (°F DB/WB): 80 / 67 Ambient (°F DB/WB): 95 / 75
Sensible Capacity (Btu/hr):	18,900	Rated Piping Length(ft):	25
Max/Min Cooling Capacity (Btu/hr):	24,000 /	Rated Height Difference (ft):	
Cooling Input Power (kW):	2.000	Rated Heating Conditions:	Indoor (°F DB/WB): 70 / 60 Ambient (°F DB/WB): 47 / 43
SEER (Non-Ducted/Ducted):	18.50 /	HSPF (Non-Ducted/Ducted):	10.2 /
EER (Non-Ducted/Ducted):	12.00 /		
Rated Heating Capacity (Btu/hr):	27,000		
Max/Min Heating Capacity (Btu/hr):	/ 27,000		
Heating Input Power (kW):	2.08		

SYSTEM DETAILS

Refrigerant Type:	R-410A	Cooling Operation Range (°F DB):	23 - 115
Holding Refrigerant Charge (lbs):	5.10	Heating Operation Range (°F WB):	0 - 60
Additional Charge (lb/ft):	0.04	Max. Pipe Length (Vertical) (ft):	98
Pre-charge Piping (Length) (ft):	0	Cooling Range w/Baffle (°F DB):	0 - 115
Max. Pipe Length (Total) (ft):	164	Heating Range w/Baffle (°F WB):	0 - 77
Max Height Separation (Ind to Ind ft):			

Submittal Data Sheet

2.0-Ton Roundflow Cassette Unit - FCQ24PAVJURZQ24PVJU9

Project: Yanmar Ceiling Cassette

Submitted by: Alexandra Edinger of DAIKIN APPLIED GEORGIA on 10/4/2017

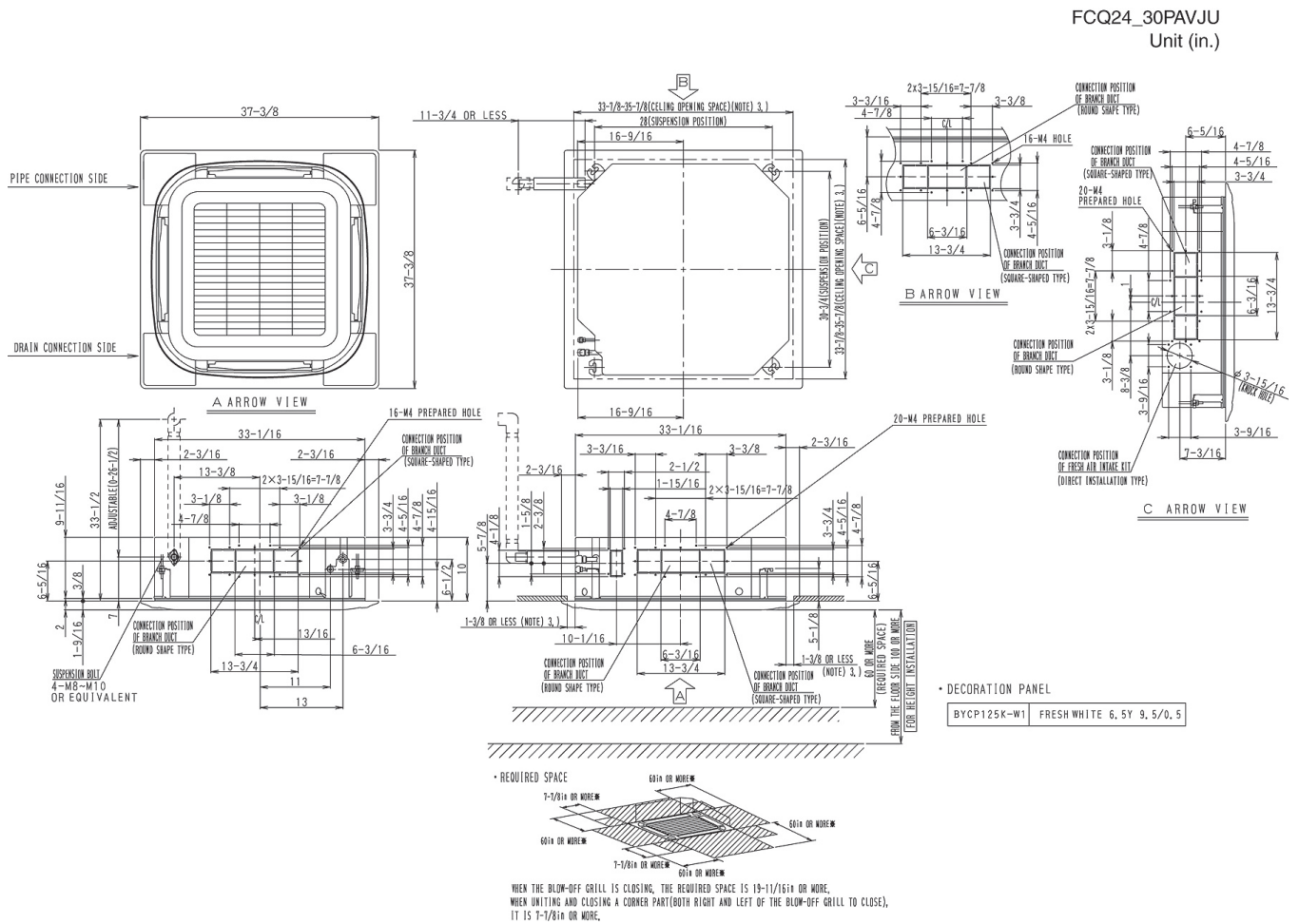
Submitted to: No Engineer Name Specified

Tags: 2.0-Ton Ceiling Cassette Heat Pump

INDOOR UNIT DETAILS

Power Supply (V/Hz/Ph):	208-230 / 60 / 1	Airflow Rate (H/M/L) (CFM):	780/620/470
Power Supply Connections:	L1, L2, Ground	Moisture Removal (Gal/hr):	
Min. Circuit Amps MCA (A):	0.5	Gas Pipe Connection (inch):	5/8
Max Overcurrent Protection (MOP) (A):	15	Liquid Pipe Connection (inch):	3/8
Dimensions (HxWxD) (in):	9-11/16 x 33-1/16 x 33-1/16	Condensate Connection (inch):	1
Net Weight (lb):	48.5	Sound Pressure (H/M) (dBA):	36/32
Ext. Static Pressure (Rated/Max) (inWg):	0 / 0	Sound Power Level (dBA):	

DIMENSIONAL DRAWING - INDOOR UNIT



Daikin North America LLC, 5151 San Felipe, Suite 500, Houston, TX, 77056

Daikin City Generated Submittal Data

www.daikinac.com www.daikincomfort.com

(Daikin's products are subject to continuous improvements. Daikin reserves the right to modify product design, specifications and information in this data sheet without notice and without incurring any obligations)

Submittal Date: 10/4/2017 12:38:04 PM

Page 3 of 4



Submittal Data Sheet

2.0-Ton Roundflow Cassette Unit - FCQ24PAVJURZQ24PVJU9

Project: Yanmar Ceiling Cassette

Submitted by: Alexandra Edinger of DAIKIN APPLIED GEORGIA on 10/4/2017

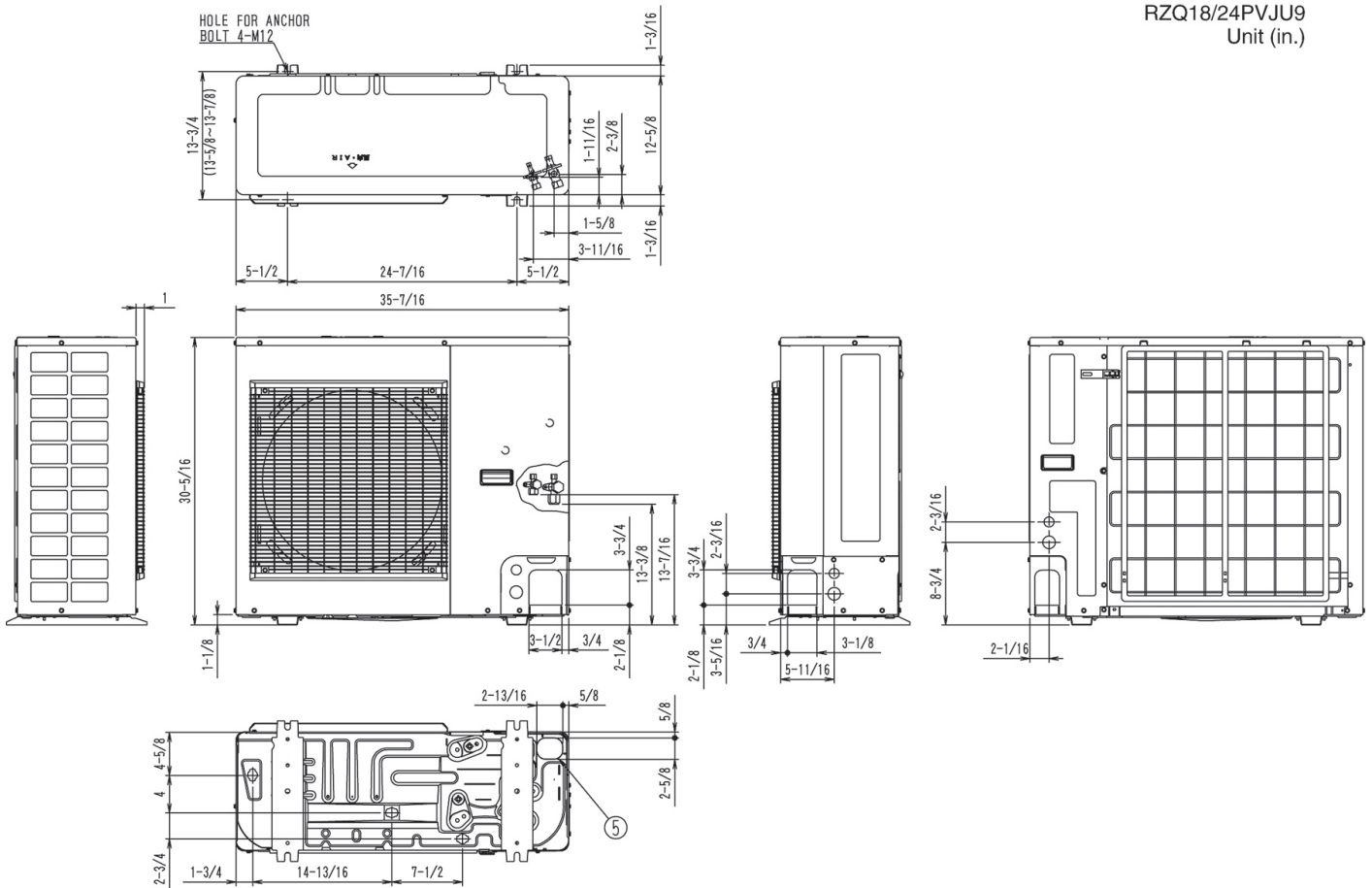
Submitted to: No Engineer Name Specified

Tags: 2.0-Ton Ceiling Cassette Heat Pump

OUTDOOR UNIT DETAILS

Power Supply (V/Hz/Ph):	208-230 / 60 / 1	Compressor Stage:	Inverter
Power Supply Connections:	L1, L2, Ground	Capacity Control Range (%):	30 - 100
Min. Circuit Amps MCA (A):	16.5	Airflow Rate (H) (CFM):	1835
Max Overcurrent Protection (MOP) (A):	20	Gas Pipe Connection (inch):	5/8
Max Starting Current MSC(A):		Liquid Pipe Connection (inch):	3/8
Rated Load Amps RLA(A):		Sound Pressure (H) (dBA):	49
Dimensions (HxWxD) (in):	30-5/16 x 35-7/16 x 12-5/8	Sound Power Level (dBA):	
Net Weight (lb):	150		

DIMENSIONAL DRAWING - OUTDOOR UNIT



RZQ18/24PVJU9
Unit (in.)