



## Submittal Data Sheet

3.0-Ton Ceiling Suspended Cooling Only - FHQ36MVJURZR36PVJU

Project: Yanmar Ceiling Suspended

Submitted by: Alexandra Edinger of DAIKIN APPLIED GEORGIA on 10/4/2017

Submitted to: No Engineer Name Specified

Tags: 3.0-Ton Ceiling Suspended Cooling Only

## FEATURES

- Auto-swing capability with 100° airflow pattern
- Innovative stream fan technology
- 10 year limited parts and compressor warranty

## BENEFITS

- Lateral servicing space allows installation in corners, narrow space, walls, and ceilings

## INDOOR UNIT



## OUTDOOR UNIT





## Submittal Data Sheet

3.0-Ton Ceiling Suspended Cooling Only - FHQ36MVJURZR36PVJU

Project: Yanmar Ceiling Suspended

Submitted by: Alexandra Edinger of DAIKIN APPLIED GEORGIA on 10/4/2017

Submitted to: No Engineer Name Specified

Tags: 3.0-Ton Ceiling Suspended Cooling Only

### SYSTEM PERFORMANCE

Indoor Unit Model No.	FHQ36MVJU	Indoor Unit Name:	skyair ceiling type - m series
Outdoor Unit Model No.	RZR36PVJU	Outdoor Unit Name:	skyair cool only outdoor unit
Rated Cooling Capacity (Btu/hr):	36,000	Rated Cooling Conditions:	Indoor (°F DB/WB): 80 / 67 Ambient (°F DB/WB): 95 / 75
Sensible Capacity (Btu/hr):	25,100	Rated Piping Length(ft):	25
Max/Min Cooling Capacity (Btu/hr):	36,000 /	Rated Height Difference (ft):	0.00
Cooling Input Power (kW):	3.530	Rated Heating Conditions:	Indoor (°F DB/WB): 70 / 60 Ambient (°F DB/WB): 47 / 43
SEER (Non-Ducted/Ducted):	14.00 /		
EER (Non-Ducted/Ducted):	10.20 /		

### SYSTEM DETAILS

Refrigerant Type:	R-410A	Cooling Operation Range (°F DB):	23 - 115
Holding Refrigerant Charge (lbs):	8.80	Heating Operation Range (°F WB):	-
Additional Charge (lb/ft):	0.04	Max. Pipe Length (Vertical) (ft):	164
Pre-charge Piping (Length) (ft):	0	Cooling Range w/Baffle (°F DB):	0 - 115
Max. Pipe Length (Total) (ft):	230	Heating Range w/Baffle (°F WB):	-
Max Height Separation (Ind to Ind ft):	0		

### Submittal Data Sheet

3.0-Ton Ceiling Suspended Cooling Only - FHQ36MVJURZR36PVJU

Project: Yanmar Ceiling Suspended

Submitted by: Alexandra Edinger of DAIKIN APPLIED GEORGIA on 10/4/2017

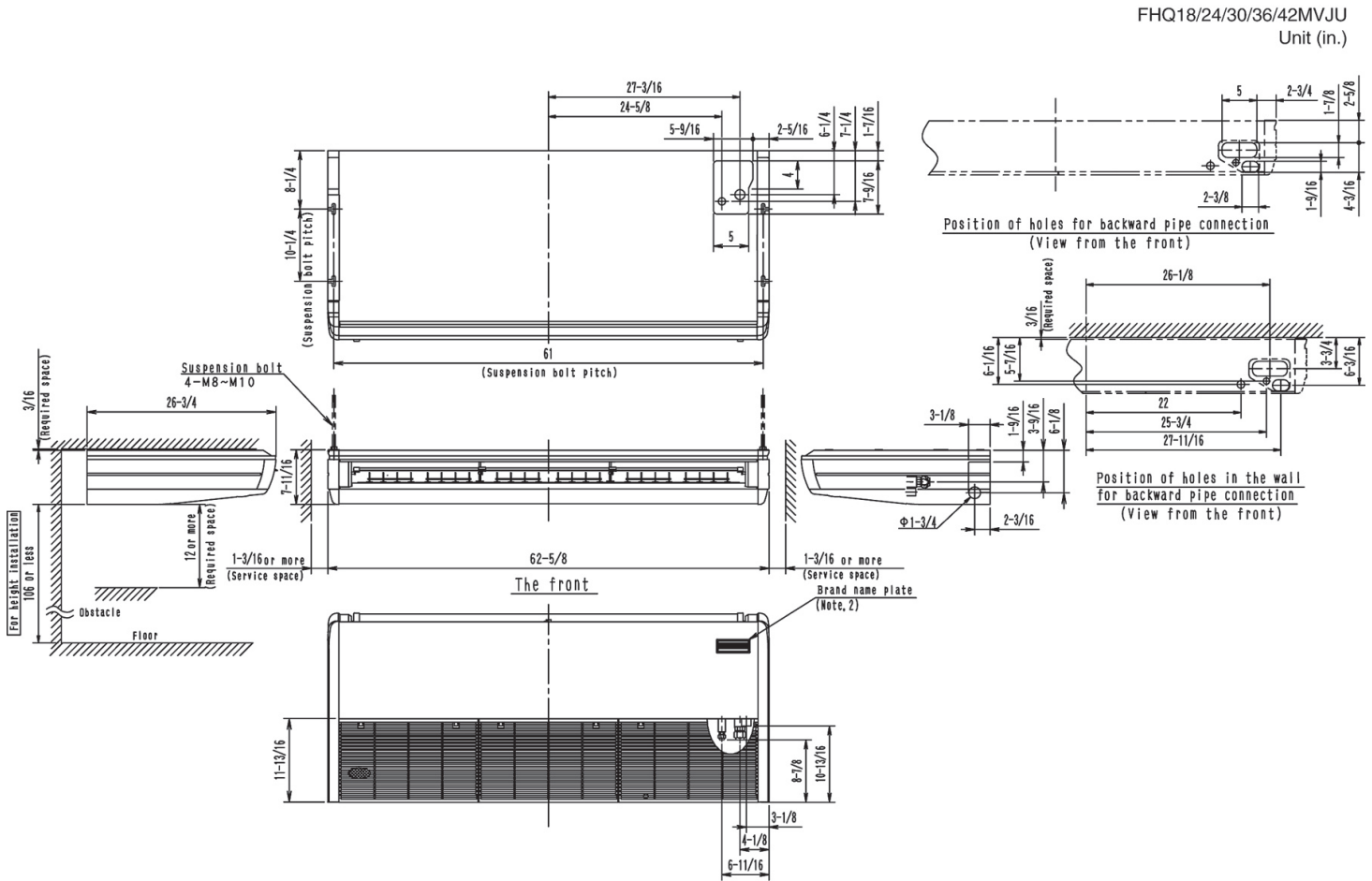
Submitted to: No Engineer Name Specified

Tags: 3.0-Ton Ceiling Suspended Cooling Only

**INDOOR UNIT DETAILS**

Power Supply (V/Hz/Ph):	208-230 / 60 / 1	Airflow Rate (H/L) (CFM):	830/670
Power Supply Connections:	L1, L2, Ground	Moisture Removal (Gal/hr):	
Min. Circuit Amps MCA (A):	1.4	Gas Pipe Connection (inch):	5/8
Max Overcurrent Protection (MOP) (A):	15	Liquid Pipe Connection (inch):	3/8
Dimensions (HxWxD) (in):	7-11/16 x 62-5/8 x 26-3/4	Condensate Connection (inch):	1
Net Weight (lb):	90	Sound Pressure (H) (dBA):	46
Ext. Static Pressure (Rated/Max) (inWg):	0 / 0	Sound Power Level (dBA):	

### DIMENSIONAL DRAWING - INDOOR UNIT





## Submittal Data Sheet

3.0-Ton Ceiling Suspended Cooling Only - FHQ36MVJURZR36PVJU

Project: Yanmar Ceiling Suspended

Submitted by: Alexandra Edinger of DAIKIN APPLIED GEORGIA on 10/4/2017

Submitted to: No Engineer Name Specified

Tags: 3.0-Ton Ceiling Suspended Cooling Only

### OUTDOOR UNIT DETAILS

Power Supply (V/Hz/Ph):	208-230 / 60 / 1	Compressor Stage:	Inverter
Power Supply Connections:	L1, L2, Ground	Capacity Control Range (%):	25 - 100
Min. Circuit Amps MCA (A):	27	Airflow Rate (H) (CFM):	3740
Max Overcurrent Protection (MOP) (A):	30	Gas Pipe Connection (inch):	5/8
Max Starting Current MSC(A):		Liquid Pipe Connection (inch):	3/8
Rated Load Amps RLA(A):		Sound Pressure (H) (dBA):	58
Dimensions (HxWxD) (in):	52-15/16 x 35-7/16 x 12-5/8	Sound Power Level (dBA):	
Net Weight (lb):	283		

### DIMENSIONAL DRAWING - OUTDOOR UNIT

