

Project Name: _____	Approval: _____
Location: _____	Date: _____
Engineer: _____	Construction: _____
Submitted to: _____	Unit #: _____
Submitted by: _____	Drawing #: _____
Reference: _____	

For use with the Daikin intelligent Touch Manager (iTM) (DCM601A71) to monitor and control ancillary equipment

■ Features

Integrates ancillary equipment into the iTM with the use of Di, Do and Ai signals
 Provides interlock, scheduling and remote access to ancillary equipment via the iTM touch screen or web access

- Interlock Function:
 - a) Creates interlocks between ancillary equipment and/or indoor units managed by the iTM. For example, DIII-Net equipment (like Daikin VRV Indoor unit group, VAM etc.) and ancillary equipment connected via WAGO node.
- Schedule Function:
 - a) Up to 20 schedule events per day can be set for the ancillary equipment at the iTM
- Monitoring / Control of ancillary equipment:
 - a) Start/Stop
 - b) Start/Stop Status
 - c) Error Status
- Web Accessibility
 - a) All the ancillary equipment can be managed (monitored/controlled) with the iTM via Web accessibility.



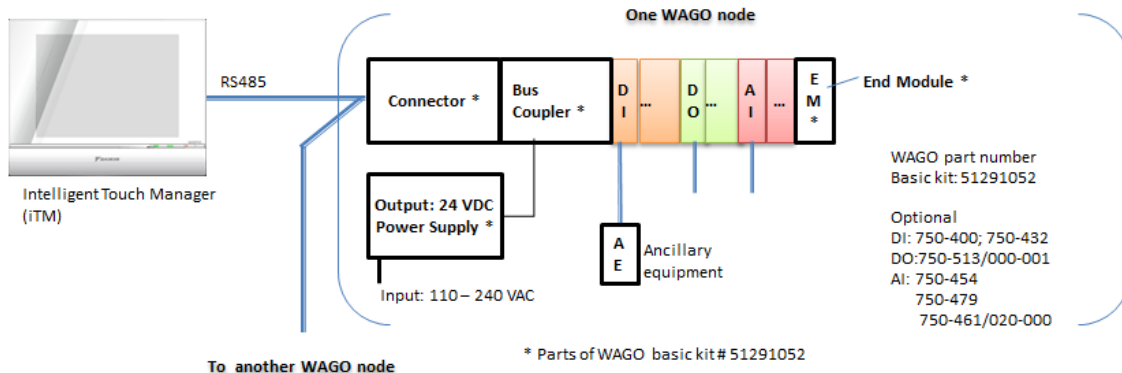
■ Management limitation of ancillary equipment in one iTM

- Quantity of management points
 - a) UP to 512 total contact points
 - b) Up to 30 nodes can be connected
 - c) Up to 120 contact points per node
- The iTM can manage a total of 650 points which includes Daikin indoor unit groups and WAGO contact points
- Up to 1640 ft. wiring length to the farthest WAGO node from the iTM

■ Easy installation

- Din rail mount – Standard width 1.38” (35mm)

■ Integration scheme



Daikin North America LLC, 5151 San Felipe Suite 500, Houston, TX 77056

Project Name: _____

Location: _____

Engineer: _____

Submitted to: _____

Submitted by: _____

Reference: _____

Approval: _____






Date: _____

Construction: _____

Unit #: _____

Drawing #: _____

Specifications

Module	Part #	Characteristics	Image (dimension W x H x L)
Basic Kit (required for each Node) (Total width 4.45")	51291052	Bus Coupler MODBUS (RS485) Communication, 24VDC input	 (2.01" x 2.56" x 3.94")
		End Module To loop the internal bus	 (0.47" x 2.52" x 3.94")
		Connector D-Sub male connector: 9 pin, 2 horizontal wire entries, one input and one output	
		24 VDC Power Supply Input voltage 110 – 240VAC, output voltage 24VDC @ 2.5A	 (1.97" x 3.62" x 5.35")
2 Channel Digital Input	750-400	2 Channel, DC 24V, 3.0ms, high-side switching	 (0.47" x 2.52" x 3.94")
4 Channel Digital Input	750-432	4 Channel, DC 24V, 3.0ms, low-side switching, w/(+) terminal	
2 Channel Digital Output	750-513/000-001	2 Channel, AC 230V, DC 30V, AC/DC 2A, isolated outputs	
2 Channel Analog Input	750-454	2 Channel, 4 - 20 mA, Differential Inputs	
	750-479	2 Channel, DC ± 10 V, Differential Measurement Input	
	750-461/020-000	2 Channel, NTC 20K Ohm Resistance	
24 VDC Power Supply (Passive) (required for every 32 contact points used)	750-602	24 VDC Passive	(0.47" x 2.52" x 3.94")
Wiring	Field Supplied	2 conductor 24 – 18 AWG stranded	Up to 1640 ft.

***Note: All sensors are field supplied**

Daikin North America LLC, 5151 San Felipe Suite 500, Houston, TX 77056

Daikin North America LLC Controls Engineering Department Generated Submittal Data

www.daikinac.com



Submittal Data Sheet

WAGO Node for iTM

Project Name: _____	Approval: _____
Location: _____	Date: _____
Engineer: _____	Construction: _____
Submitted to: _____	Unit #: _____
Submitted by: _____	Drawing #: _____
Reference: _____	

Parts Selection

Monitoring and control points accessible through the WAGO Node

Check the appropriate box indicating the required points I/O and quantity for this project.

	Module		Part #	Description	Location (Office, Classroom, etc.)
	X	QTY			
Required	<input type="checkbox"/>	<input type="checkbox"/>	Basic Kit	51291052	Bus Coupler, Connector, 24 VDC Power Supply, End Module
Input	<input type="checkbox"/>	<input type="checkbox"/>	2 Channel Digital Input	750-400	Monitor input status of up to 2 ancillary equipment
	<input type="checkbox"/>	<input type="checkbox"/>			Monitor input status and alarm status of 1 ancillary equipment
	<input type="checkbox"/>	<input type="checkbox"/>	4 Channel Digital Input	750-432	Monitor input status of up to 4 ancillary equipment
	<input type="checkbox"/>	<input type="checkbox"/>			Monitor input status and alarm status of 2 ancillary equipment
	<input type="checkbox"/>	<input type="checkbox"/>	2 Channel Analog Input	750-454	2 Analog High/low temperature alerts using 4-20 mA signal
	<input type="checkbox"/>	<input type="checkbox"/>			2 Analog High/low humidity alerts using 4-20 mA signal
	<input type="checkbox"/>	<input type="checkbox"/>			2 Analog High/low CO2 alerts using 4-20 mA signal
	<input type="checkbox"/>	<input type="checkbox"/>			2 Analog High/low temperature alerts using ± 10 VDC signal
	<input type="checkbox"/>	<input type="checkbox"/>	2 Channel Analog Input	750-479	2 Analog High/low humidity alerts using ± 10 VDC signal
	<input type="checkbox"/>	<input type="checkbox"/>			2 Analog High/low CO2 alerts using ±10 VDC signal
	<input type="checkbox"/>	<input type="checkbox"/>			2 Analog High/low temperature alerts using 20k Ohm signal
Output	<input type="checkbox"/>	<input type="checkbox"/>	2 Channel Digital Output	750-513/000-001	On/Off control of up to 2 ancillary equipment
Power Supply	<input type="checkbox"/>	<input type="checkbox"/>	24 VDC Power Supply (Passive)	750-602	Required for use after every 32 contact points connected in Node

Daikin North America LLC, 5151 San Felipe Suite 500, Houston, TX 77056

Daikin North America LLC Controls Engineering Department Generated Submittal Data

www.daikinac.com

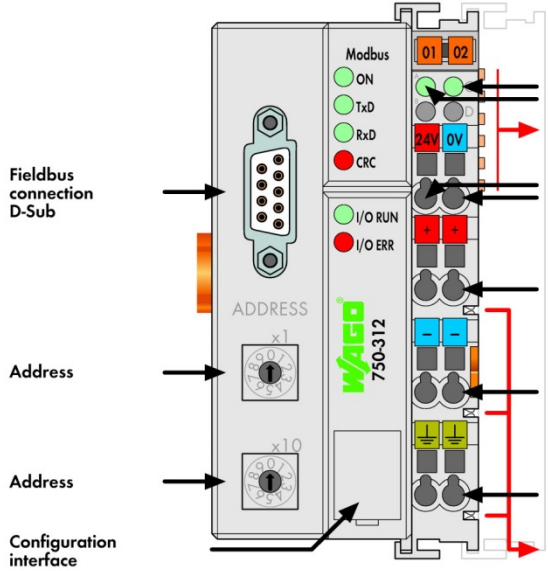
(Daikin's products are subject to continuous improvements. Daikin reserves the right to modify product design, specifications and information in this data sheet without notice and without incurring any obligations)

Project Name: _____
 Location: _____
 Engineer: _____
 Submitted to: _____
 Submitted by: _____
 Reference: _____

Approval: _____
 Date: _____
 Construction: _____
 Unit #: _____
 Drawing #: _____

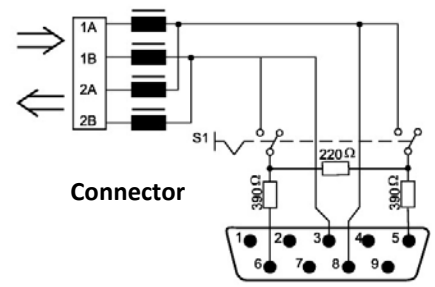
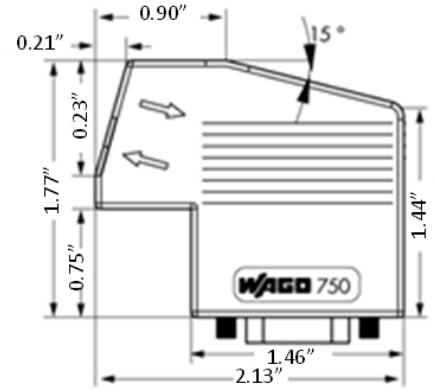
Schematics

Basic Kit - Part # 51291052

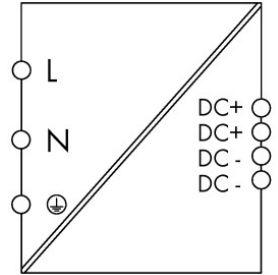


Bus Coupler

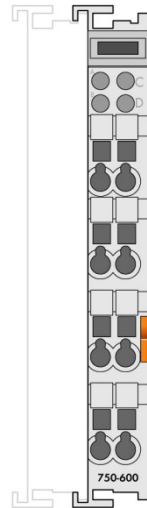
- Status voltage supply
- Power jumper contacts
- System
- Data contacts
- Supply 24 V 0 V
- Supply via power jumper contacts 24 V
- 0 V
- ⊥
- Power jumper contacts



Connector



24 VDC Power Supply



End Module

Daikin North America LLC, 5151 San Felipe Suite 500, Houston, TX 77056

Daikin North America LLC Controls Engineering Department Generated Submittal Data

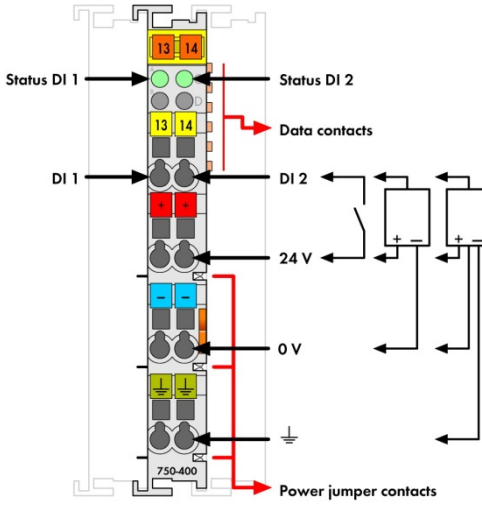
www.daikinac.com

(Daikin's products are subject to continuous improvements. Daikin reserves the right to modify product design, specifications and information in this data sheet without notice and without incurring any obligations)

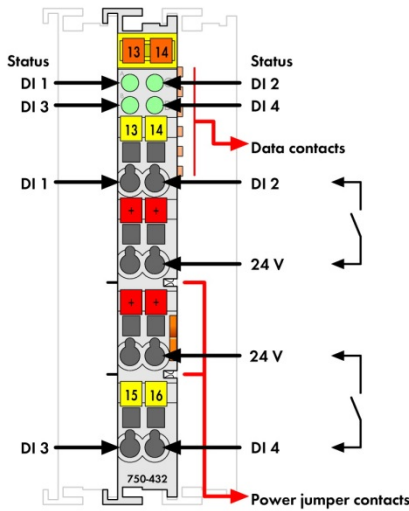
Project Name: _____
 Location: _____
 Engineer: _____
 Submitted to: _____
 Submitted by: _____
 Reference: _____

Approval: _____
 Date: _____
 Construction: _____
 Unit #: _____
 Drawing #: _____

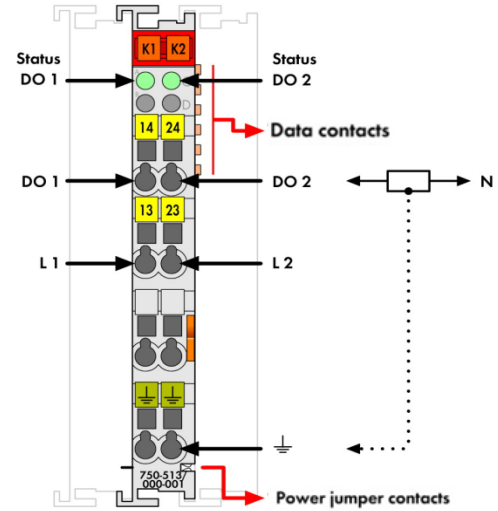
Schematics



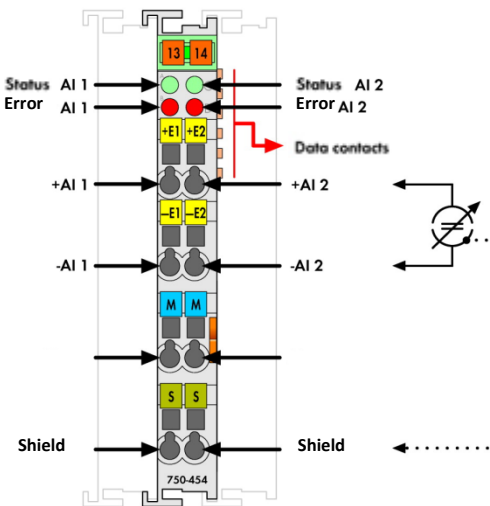
2 Channel Di
750-400



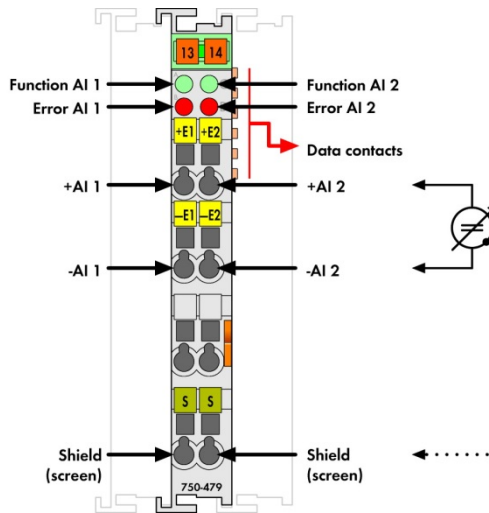
4 Channel Di
750-432



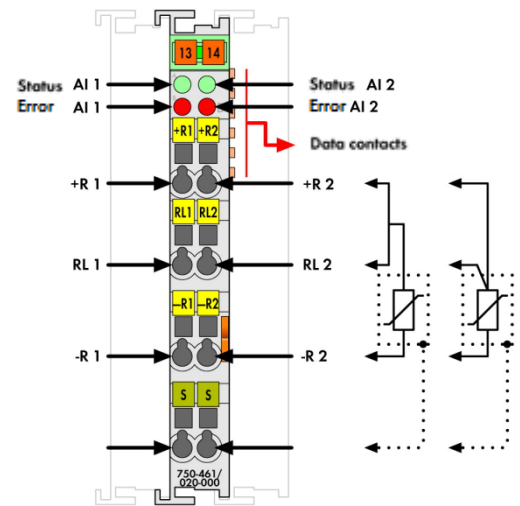
2 Channel Do
750-513/000-001



2 Channel Ai (4-20 mA)
750-454



2 Channel Ai (± 10 VDC)
750-479



2 Channel Ai (20k Ohm)
750-461/020-000

Daikin North America LLC, 5151 San Felipe Suite 500, Houston, TX 77056

Daikin North America LLC Controls Engineering Department Generated Submittal Data

www.daikinac.com

(Daikin's products are subject to continuous improvements. Daikin reserves the right to modify product design, specifications and information in this data sheet without notice and without incurring any obligations)