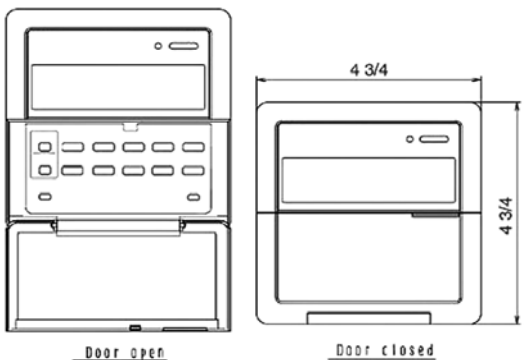


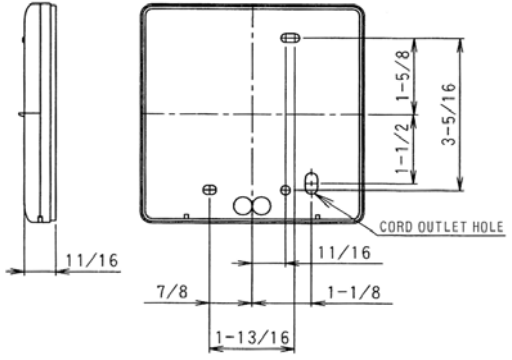
Job Name: _____ Location: _____
 Purchaser: _____
 Engineer: _____
 Submitted To: _____ For: Reference Approval Construction
 Submitted By: _____ Date: _____
 Unit Designation: Schedule #: _____ Model No.: _____

For use with the following Daikin RA & RA-Multi Indoor Models: FDXS Slim Duct & CTXS / FTXS Wall Mount
 For use with the following Daikin RA & RA-Multi Outdoor Models: RX Std. Efficiency, RXS High Efficiency, 2MXS & 4MXS

FEATURES / BENEFITS	
	• Includes 8m (26ft) of cable
	• Built in one time or daily timer functionality with up to 2 timer actions per day
	• LCD lets you display set point temperature in either °F or °C units in 1 degree increments
	• Monitors room temperature and preset temperature by microcomputer and can select cool or heat operation modes automatically based on the set-point requirement
	• Selectable auto / cool / heat / dry operation modes with adjustable temperature and airflow rates
	• Approximately two hour battery backup
	• Required remote control adapter PCB included
	• Controller can be used in conjunction with the factory supplied standard wireless remote controller



Remote Controller Functions	
OPERATION	Start / Stop
	Operation Mode
	Temperature Setting
	64°F – 90°F Set Point Range
	Fan Speed
MONITORING	Airflow Direction
	Status
	Operation Mode
	Temperature Setting
	Fan Speed
SCHEDULING	One Time Timer
	Daily Timer



CABLE SPECIFICATIONS	
TYPE	4-wire sheathed vinyl cable
TOTAL LENGTH	BRCW901A08 – Approx. 8m (26ft)