



## Submittal Data Sheet

0.5-Ton Wall Mounted Unit

FXAQ07PVJU

### FEATURES

- Auto-swing mechanism ensures efficient air distribution via louvers that automatically close when the unit is turned off
- Easy to clean front panel with a flat smooth surface that can be removed for additional cleaning
- Five different airflow distribution angles programmable by the optional controller
- Condensate drain pipe can be installed on either the left or right side of the unit
- Wide air discharge outlet distributes a comfortable airflow throughout the entire space
- Standard Limited Warranty: 10-year warranty on compressor and all parts





## Submittal Data Sheet

0.5-Ton Wall Mounted Unit

FXAQ07PVJU

### PERFORMANCE

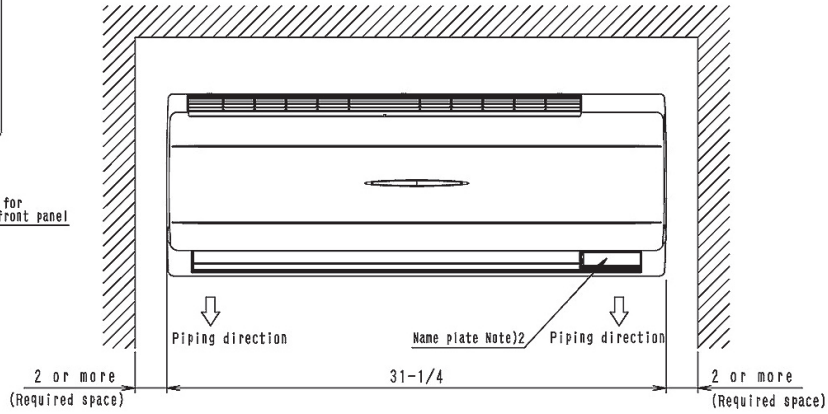
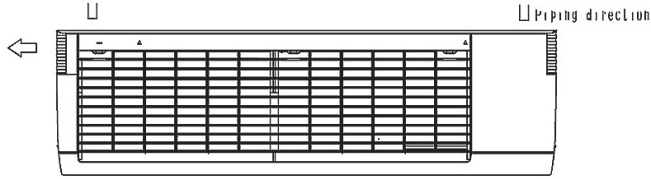
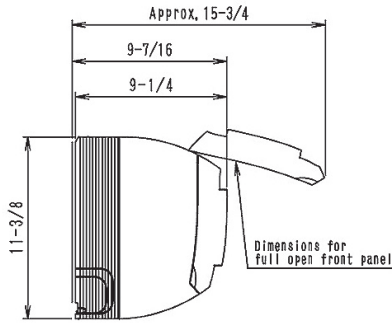
Indoor Unit Model No.	FXAQ07PVJU	Indoor Unit Name:	0.5-Ton Wall Mounted Unit
Type:	Wall Mounted	Rated Cooling Conditions:	Indoor (°F DB/WB): 80 / 67 Ambient (°F DB/WB): 95 / 75
Rated Cooling Capacity (Btu/hr):	7,500	Rated Heating Conditions:	Indoor (°F DB/WB): 70 / 70 Ambient (°F DB/WB): 47 / 43
Sensible Capacity (Btu/hr):	6,400	Rated Piping Length(ft):	
Cooling Input Power (kW):	0.020	Rated Height Separation (ft):	
Rated Heating Capacity (Btu/hr):	8,500		
Heating Input Power (kW):	0.03		

### INDOOR UNIT DETAILS

Power Supply (V/Hz/Ph):	208-230 / 60 / 1	Airflow Rate (H/L) (CFM):	260/160
Power Supply Connections:	L1, L2, Ground	Moisture Removal (Gal/hr):	
Min. Circuit Amps MCA (A):	0.40	Gas Pipe Connection (inch):	1/2
Max Overcurrent Protection (MOP) (A):		Liquid Pipe Connection (inch):	1/4
Dimensions (HxWxD) (in):	11-3/8 x 31-1/4 x 9-1/4	Condensate Connection (inch):	11/16
Panel (HxWxD) (in):		Sound Pressure (H/L) (dBA):	36/31
Net Weight (lb):	26	Sound Power Level (dBA):	
Panel Weight (lb):		Ext. Static Pressure (Rated/Max) (inWg):	0.00 / 0.00

**Submittal Data Sheet**  
 0.5-Ton Wall Mounted Unit  
 FXAQ07PVJU

**DIMENSIONAL DRAWING**



FXAQ07/09/12PVJU  
 Unit (in.)

