



## Submittal Data Sheet

0.75-Ton Round Flow Sensing Cassette

FXFQ09TVJU

### FEATURES

- True 360° airflow distribution and three room sensors enables optimized occupant comfort and efficiency
- Optional self-cleaning filter panel to further increase efficiency and reduce maintenance costs
- Individually controlled supply air louvers for comfortable air supply
- Improved efficiency with new DC fan motor and auto logic that adjusts fan speed based on space load
- Industry leading flexibility with 23 possible airflow patterns
- Standard Limited Warranty: 10-year warranty on compressor and all parts

### BENEFITS

- Compact design to allow for installation in small ceiling voids
- Very low sound levels increases flexibility regarding location of the unit
- Increased indoor air quality with high efficiency filter options & ventilation connection kit
- Automatic occupancy dependant Set back function to save energy





## Submittal Data Sheet

0.75-Ton Round Flow Sensing Cassette

FXFQ09TVJU

### PERFORMANCE

Indoor Unit Model No.	FXFQ09TVJU	Indoor Unit Name:	0.75-Ton Round Flow Sensing Cassette
Type:	Ceiling Cassette	Rated Cooling Conditions:	Indoor (°F DB/WB): 80 / 67 Ambient (°F DB/WB): 95 / 75
Rated Cooling Capacity (Btu/hr):	9,500	Rated Heating Conditions:	Indoor (°F DB/WB): 70 / 70 Ambient (°F DB/WB): 47 / 43
Sensible Capacity (Btu/hr):	8,500	Rated Piping Length(ft):	
Cooling Input Power (kW):	0.030	Rated Height Separation (ft):	
Rated Heating Capacity (Btu/hr):	10,500		
Heating Input Power (kW):	0.03		

### INDOOR UNIT DETAILS

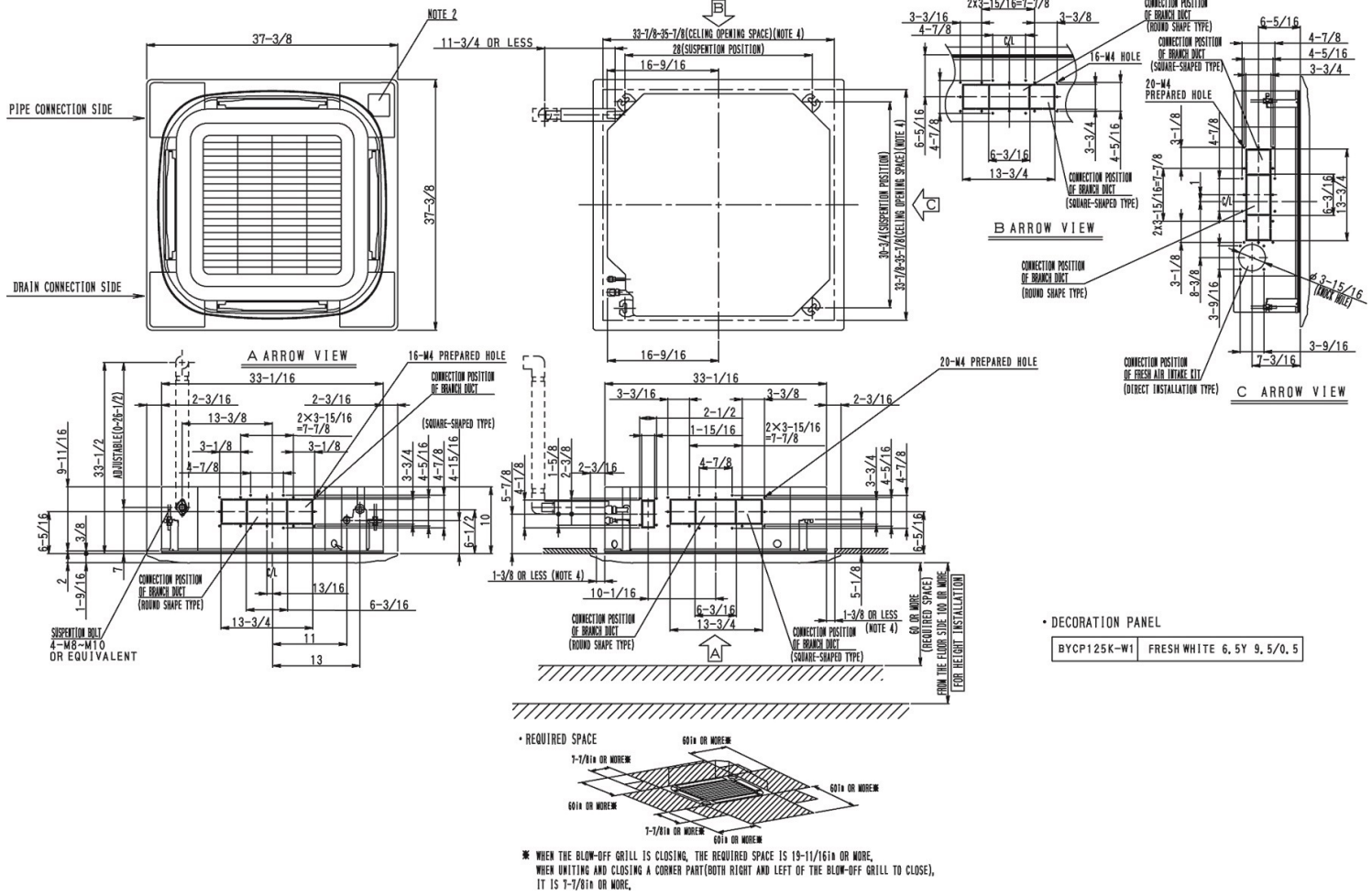
Power Supply (V/Hz/Ph):	208-230 / 60 / 1	Airflow Rate (H/M/L) (CFM):	441/406/353
Power Supply Connections:	L1, L2, Ground	Moisture Removal (Gal/hr):	
Min. Circuit Amps MCA (A):	0.30	Gas Pipe Connection (inch):	1/2
Max Overcurrent Protection (MOP) (A):		Liquid Pipe Connection (inch):	1/4
Dimensions (HxWxD) (in):	9-11/16 x 33-1/16 x 33-1/16	Condensate Connection (inch):	1-1/4
Panel (HxWxD) (in):	2 x 37-3/8 x 37-3/8	Sound Pressure (H/L) (dBA):	30/27
Net Weight (lb):	42	Sound Power Level (dBA):	
Panel Weight (lb):	22	Ext. Static Pressure (Rated/Max) (inWg):	0.00 / 0.00



**Submittal Data Sheet**  
 0.75-Ton Round Flow Sensing Cassette  
 FXFQ09TVJU

**DIMENSIONAL DRAWING**

**FXFQ07-24TVJU**  
 Unit (inches)



Daikin North America LLC, 5151 San Felipe, Suite 500, Houston, TX, 77056

Daikin City Generated Submittal Data

[www.daikinac.com](http://www.daikinac.com) [www.daikincomfort.com](http://www.daikincomfort.com)

(Daikin's products are subject to continuous improvements. Daikin reserves the right to modify product design, specifications and information in this data sheet without notice and without incurring any obligations)