



# HHC4W HEATER KIT

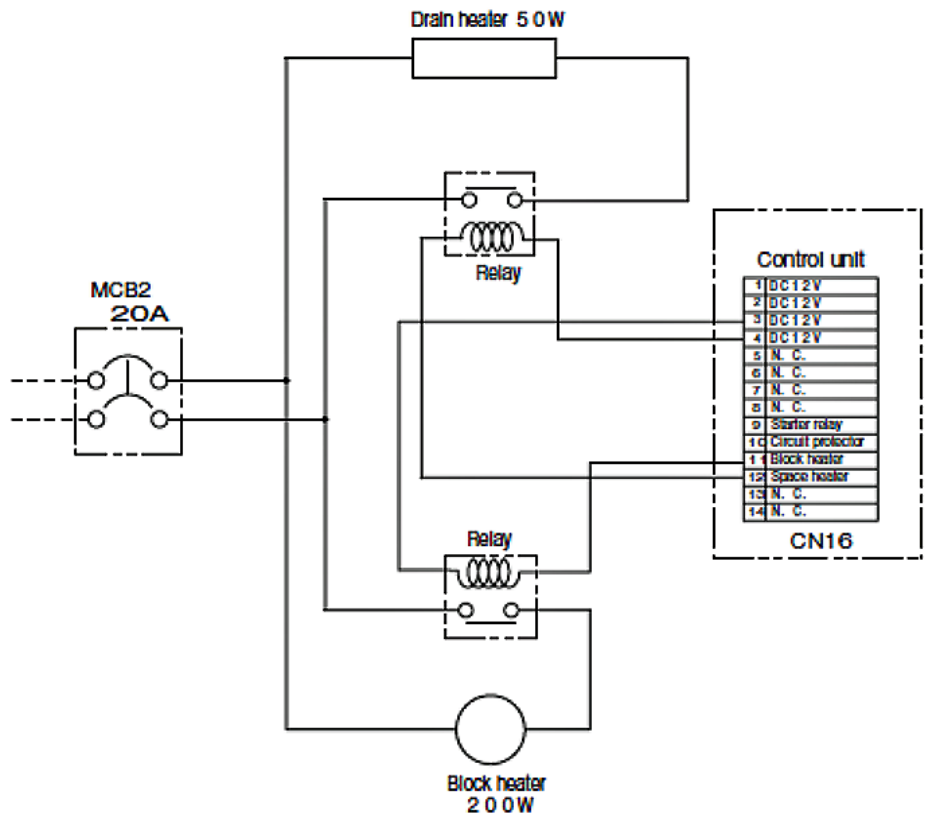
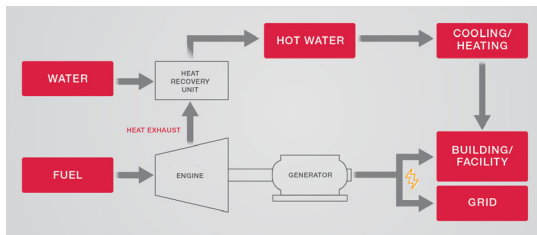
	Standard	Cold Region
<b>Model</b>	<b>HHC4W</b>	
Model Description	Heater Kit	
Applicable CP Models	CP5WN	
Minimum Ambient Temperature	23°F (-5°C)	5°F (-15°C)
Coolant	Cogeneration Coolant L201	
	50%	60% (Coolant Change)
Drain Heater	Not Provided	50W x 1 (Located next to drain filter)
Block Heater	Not Provided	200W x 1 (Located in the middle of the coolant piping inside the unit)
Standard Warranty	2 Years/Unlimited Hours	
Maintenance & Extended Warranty Plans (Optional YES Product Protection Available as part of a complete mCHP system.)	10 Years/30,000 Hours; <i>Whichever Comes First</i>	
	10 Years/60,000 Hours; <i>Whichever Comes First</i>	
	15 Years/90,000 Hours; <i>Whichever Comes First</i>	



The Heater Kit is used in cold areas to warm the inside of the CHP and engine block, as well as prevent water from freezing for smooth start up.

Circuit Diagram for Cold Region Model:

### CHP Basic Flow



NOTE: Due to YANMAR's ongoing commitment to quality, specifications, ratings and dimensions subject to change without notice. Improper installation, adjustment, alteration, service or maintenance can cause property damage or personal injury. Installation and service must be in accordance with current specifications, ratings and dimensions and be performed by a qualified installer and servicing agency.