

Job Name:	Adapter: <input type="checkbox"/> KRP4A71 <input type="checkbox"/> KRP4A72 <input type="checkbox"/> KRP4A73 <input type="checkbox"/> KRP4A74
Purchaser:	Installation Kit: <input type="checkbox"/> KRP4A93 <input type="checkbox"/> KRP1B98 <input type="checkbox"/> KRP1C93 <input type="checkbox"/> KRP1B101
Engineer:	
Submitted To:	For: <input type="checkbox"/> Reference <input type="checkbox"/> Approval <input type="checkbox"/> Construction
Submitted By:	Date:
Unit Designation: Schedule #:	Model No.:
Location:	

FEATURES / BENEFITS

- Applied to individual VRV indoor units to facilitate remote start / stop control and temperature setpoint for remote control groups and contact closure outputs for operation and malfunction status.
- Low cost alternative to traditional energy management integration for small projects with simple control requirements.
- Provides a simple contact closure input (configurable as momentary or constant contact) to remotely start and stop individual VRV indoor units or all indoor units in a remote controller group.
- Provides normally open dry contact outputs for indication of indoor unit operation (on/off) status and malfunction status (normally open contact will close when the host indoor unit is in an alarm condition.)
- Analog input provided for remote temperature setpoint adjustment (Centigrade values only) with a 0-135 Ohm signal. **See note 2 below.**

KRP1B Model Application

FXSQ, FXMQ, FXAQ, FXNQ, FXLQ	KRP4A71
FXHQ, SkyAir FHQ	KRP4A72
FXFQ, FXZQ, SkyAir FCQ	KRP4A73
FXDQ	KRP4A74

Installation Kit Requirements

FXAQ	KRP4A93 Installation Box
FXFQ, SkyAir FCQ	KRP1B98 Installation Box
FXHQ, SkyAir FHQ	KRP1C93 Installation Box
FXDQ, FXZQ	KRP1B101 Installation Box

Power Requirements

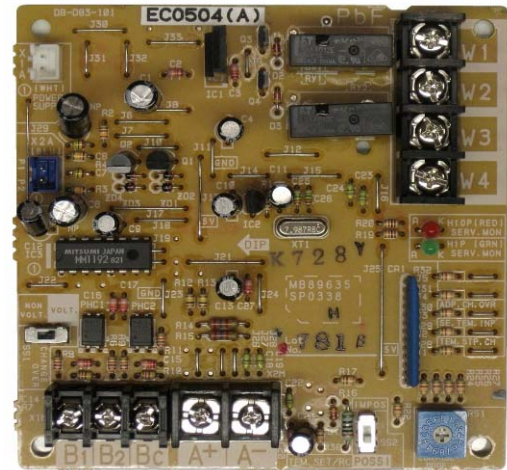
PCB Power Supply	Provided by host indoor unit
Control Circuit Power Supply	Provided by others if required

Contact Specifications

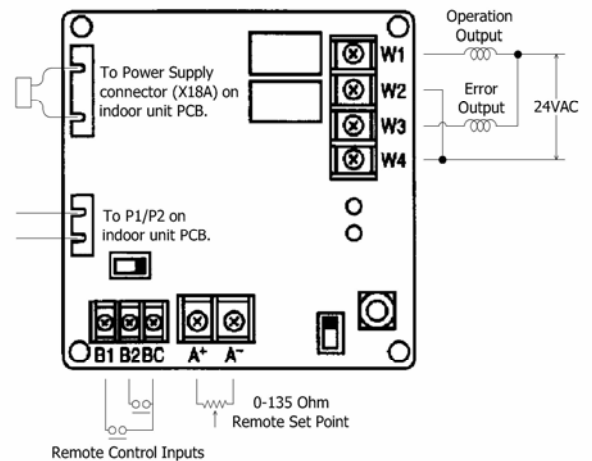
B1-BC, B2-BC	Input Only
W1-W2 Allowable Current	10mA to 3A at 24VAC
W3-W4 Allowable Current	10mA to 3A at 24VAC
(A+) (A-)	0-135 Ohm

PCB Connections

B1-B2-BC	Non-voltage input only
(A+) (A-)	Analog 0-135 ohm input.
W1-W2	Operation status output / Dry contact
W3-W4	Malfunction status output / Dry contact
X18A	Harness connection to VRV indoor unit PCB
P1-P2	To indoor unit PCB P1-P2 terminals



Wiring Schematic



Application Notes

1. Control mode selector switch (RS1) allows the installer to configure the start / stop priority between the adapter and operation button on the remote controller.
2. Non-linear Fahrenheit temperature setpoint equivalents to the standard Centigrade (1°C increments) control basis will result in various setpoint values being unavailable through the analog input.