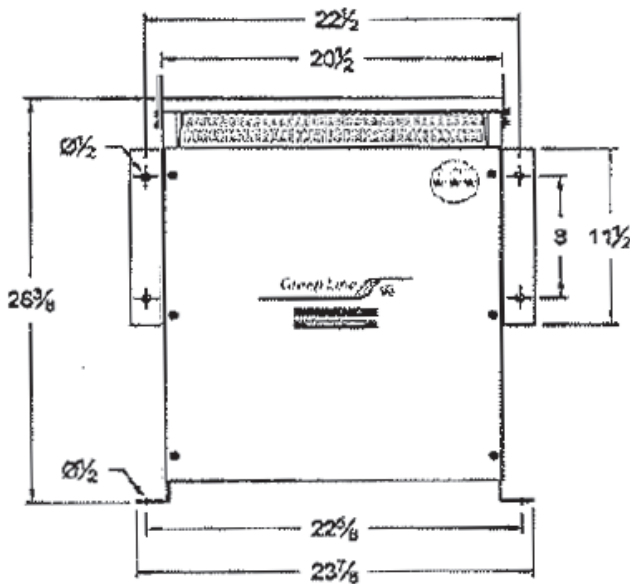
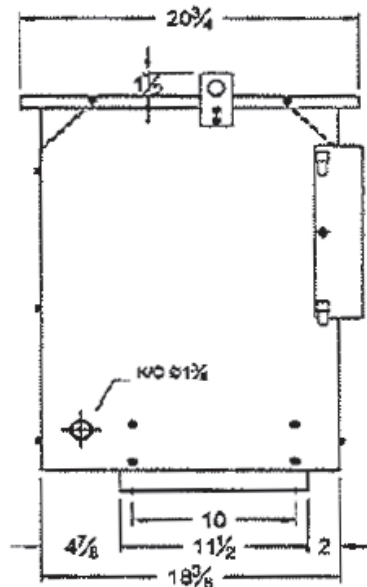


CP35D1Z ENERGY EFFICIENT TRANSFORMER


FRONT VIEW

SIDE VIEW

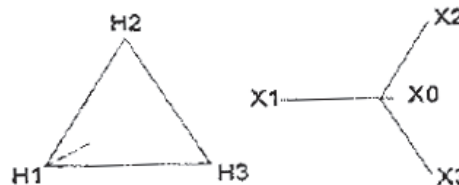
Model	
Cat. Number	BA45B-M/Z3
Applicable CP Models	CP35D1Z-TNUG
Coils	Aluminum
kVA	45
Primary	208 Delta Volts
Secondary	208 Y/120 Volts
Primary Taps	2.5%
Taps FCAN	2
Taps FCBN	2
Frequency	60 Hz
BIL	10 kV
Insulation Class	220 C
Temperature Rise	150 C
Impedance	5.0-6.0%
Min. Efficiency (35% Loaded)	98.4%
Weight	420 lbs

Standards:

- CSA Certified: LR34493
- UL Listed: E108255

Standard Features:

- Anti-vibration pads installed between the enclosure base and the core & coil assembly.
- Lug for Earth grounding provided
- Transformer meets and exceeds the CSL 3 (DOE 2016) minimum efficiency at 35% loading


CSA Enclosure:

- Type 3R (NEMA 3R): Sprinkler-proof when the angle between sprinkler heads and opening in the enclosure does not exceed 45 degrees from the vertical.
- Ventilated
- ASA 61 Grey
- Floor Mounting

NOTE: Due to YANMAR's ongoing commitment to quality, specifications, ratings and dimensions subject to change without notice. Improper installation, adjustment, alteration, service or maintenance can cause property damage or personal injury. Installation and service must be in accordance with current specifications, ratings and dimensions and be performed by a qualified installer and servicing agency.