

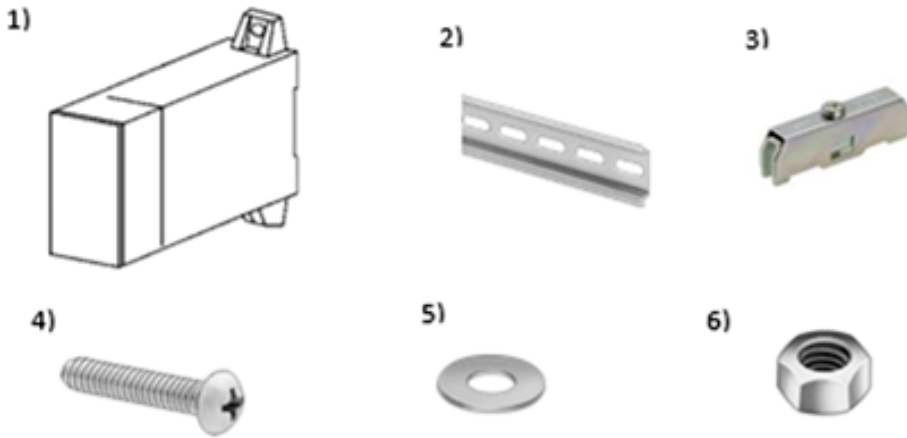


TD240V1PH3W TRANSDUCER KIT



Model	TD240V1PH3W
Model Description	Transducer Kit
Applicable CP Models	CP5WN, CP01WN
Standard Warranty	2 Years/Unlimited Hours
Maintenance & Extended Warranty Plans (Optional YES Product Protection Available as part of a complete mCHP system.)	10 Years/30,000 Hours; <i>Whichever Comes First</i>
	10 Years/60,000 Hours; <i>Whichever Comes First</i>
	15 Years/90,000 Hours; <i>Whichever Comes First</i>

Contents of TD240V1PH3W Kit



No	Parts Name	Qty.
1	Transducer	1
2	DIN rail	1
3	DIN rail end stop	2
4	Screw (M4)	2
5	Washer	2
6	Lock nut (M6)	2

Transducer Specifications:

Manufacturer: YOKOGAWA **Model:** 2375A20
Burden at CT input: 1 VA **CT Ratio:** 5A
Auxiliary Power: 240V **Output:** DC 0 ~ 5V

Notes:

The TD240V1PH3W Kit will be installed inside of the CP Unit.

NOTE: Due to YANMAR's ongoing commitment to quality, specifications, ratings and dimensions subject to change without notice. Improper installation, adjustment, alteration, service or maintenance can cause property damage or personal injury. Installation and service must be in accordance with current specifications, ratings and dimensions and be performed by a qualified installer and servicing agency.