

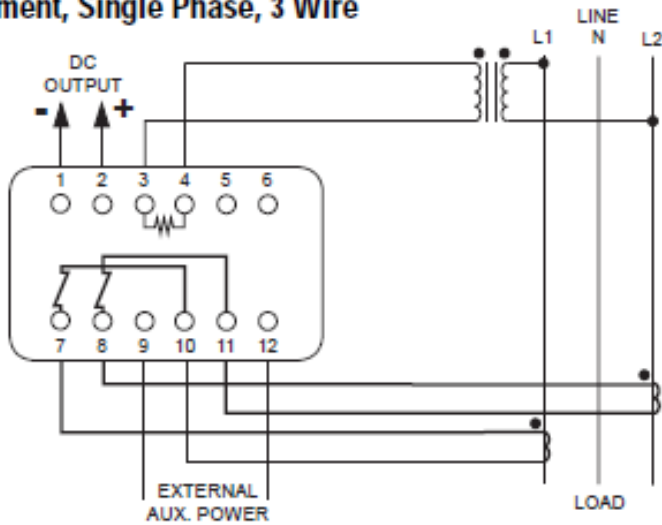


XL5C51-1/2A4-1-RS TRANSDUCER (CP5/CP10)



Model	XL5-C51-1/2A4-1-RS
Model Description	Transducer
Applicable CP Models	CP5WN, CP01WN
Current Input	Nominal 5A
Voltage Input	Nominal 240V Range 0-300V
Output Range	0-5V
Operating Range Temp.	-20 C to +50 C
Maximum Net Weight	4 lbs 8 oz
Approximate Dimensions	7.0" w x 3.7" d x 5.6" h
Standard Warranty	2 Years/Unlimited Hours
Maintenance & Extended Warranty Plans (Optional YES Product Protection Available as part of a complete mCHP system.)	10 Years/30,000 Hours; <i>Whichever Comes First</i>
	10 Years/60,000 Hours; <i>Whichever Comes First</i>
	15 Years/90,000 Hours; <i>Whichever Comes First</i>

1 1/2 Element, Single Phase, 3 Wire



Notes:

The transducer may need an additional voltage transformer depending on the input voltage

NOTE: Due to YANMAR's ongoing commitment to quality, specifications, ratings and dimensions subject to change without notice. Improper installation, adjustment, alteration, service or maintenance can cause property damage or personal injury. Installation and service must be in accordance with current specifications, ratings and dimensions and be performed by a qualified installer and servicing agency.