

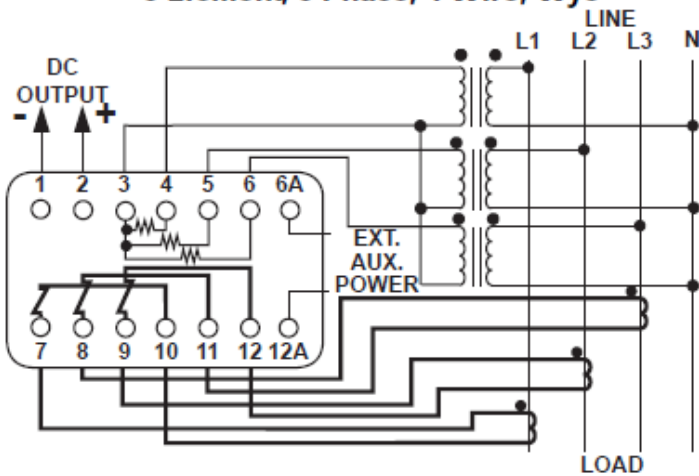


# XLGW30S4-A1 TRANSDUCER (CP35D1)



Model	XLGW30S4-A1
Model Description	Transducer
Applicable CP Models	CP35D1
Current Input	Nominal 5A
Voltage Input	Nominal 120V Range 0-150V
Output Range	4-20 mAdc
Operating Range Temp.	-20 C to +50 C
Maximum Net Weight	2 lbs 11 oz
Approximate Dimensions	4.4" w x 3.9" d x 4.9" h
Standard Warranty	2 Years/Unlimited Hours
Maintenance & Extended Warranty Plans (Optional YES Product Protection Available as part of a complete mCHP system.)	10 Years/30,000 Hours; <i>Whichever Comes First</i>
	10 Years/60,000 Hours; <i>Whichever Comes First</i>
	15 Years/90,000 Hours; <i>Whichever Comes First</i>

### 3 Element, 3 Phase, 4 Wire, Wye



**Notes:**

The transducer may need an additional voltage transformer depending on the input voltage.

NOTE: Due to YANMAR's ongoing commitment to quality, specifications, ratings and dimensions subject to change without notice. Improper installation, adjustment, alteration, service or maintenance can cause property damage or personal injury. Installation and service must be in accordance with current specifications, ratings and dimensions and be performed by a qualified installer and servicing agency.